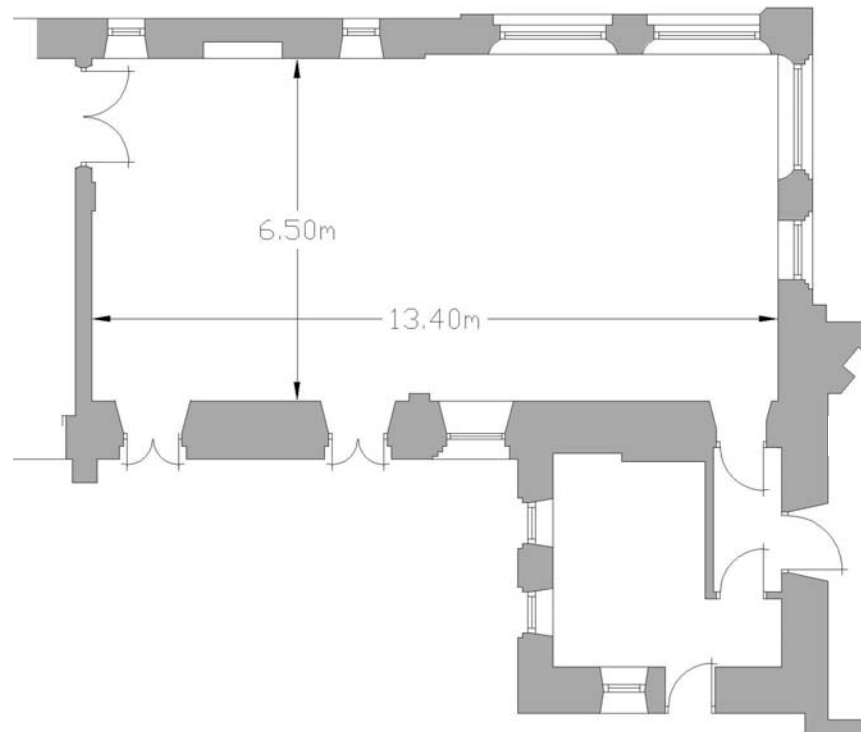


ROOM FLOOR PLANS

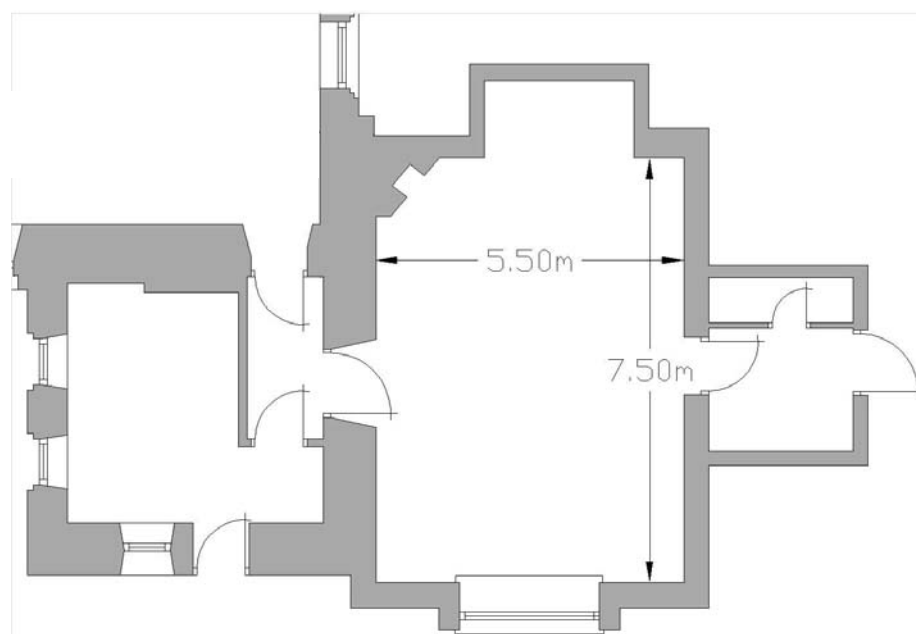
Ware Priory is an historic 14th Century building with the Priory Hall, the Conservatory and five other rooms available for hire. This document provides the floor plans for each room although for a complete set of dimensions, including height and area, there is a separate Room Dimensions document available. If you require further information, then please call 01920 460316 or email events@warepriory.co.uk.

Priory Hall



The smaller room adjoining the Priory Hall is a separate kitchen, which can be made available for community and charity bookings.

Garden Room

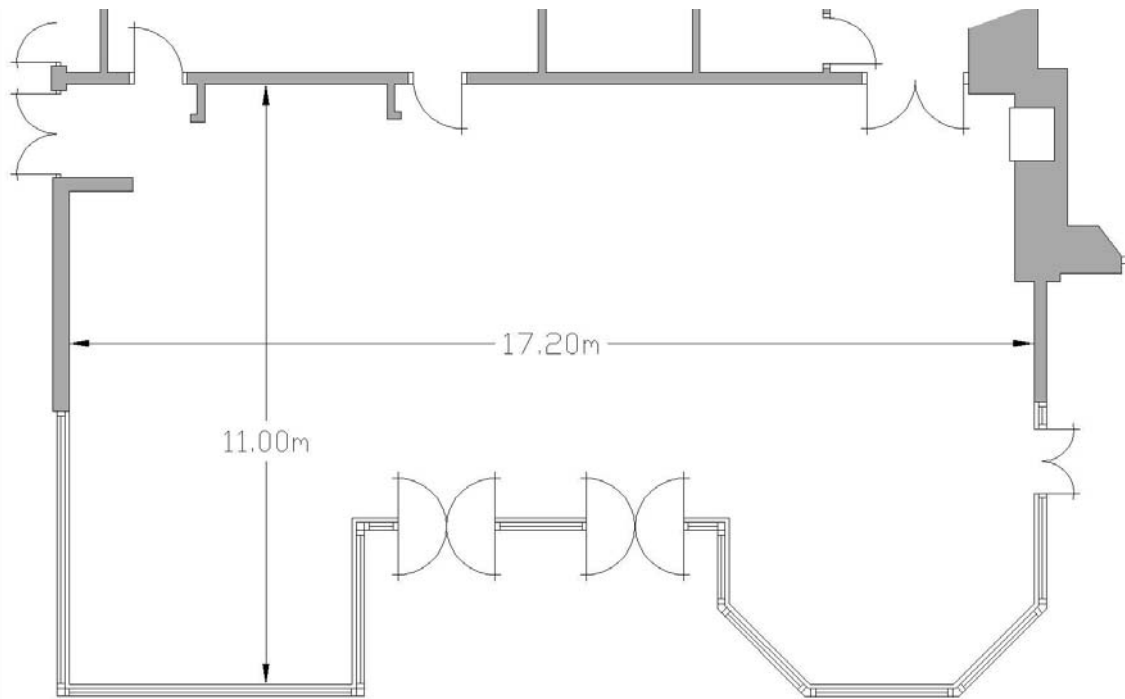


The Garden Room is the centre of the three rooms above. The smaller room to the left is a separate kitchen, which can be made available for community and charitable bookings. The smallest room the the right is a vestibule which also contains a cloakroom.

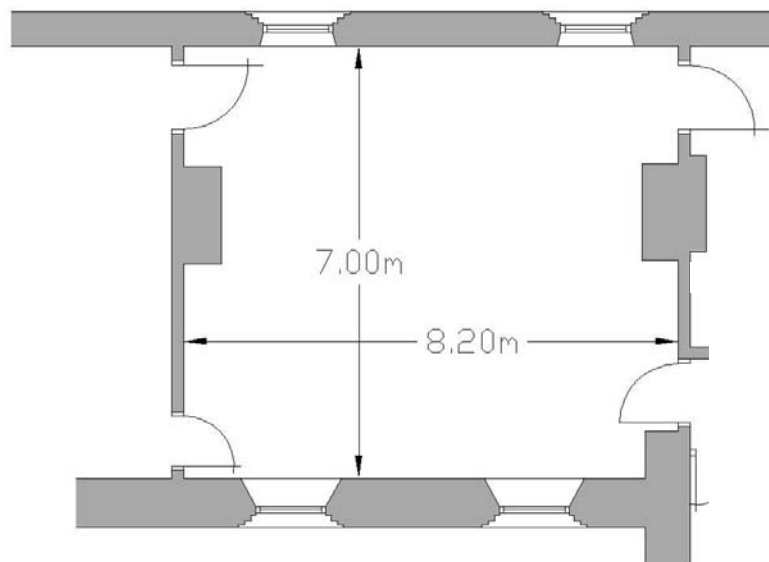
ROOM FLOOR PLANS

Ware Priory is an historic 14th Century building with the Priory Hall, the Conservatory and five other rooms available for hire. This document provides the floor plans for each room although for a complete set of dimensions, including height and area, there is a separate Room Dimensions document available. If you require further information, then please call 01920 460316 or email events@warepriory.co.uk.

Conservatory



Hadsley Room*

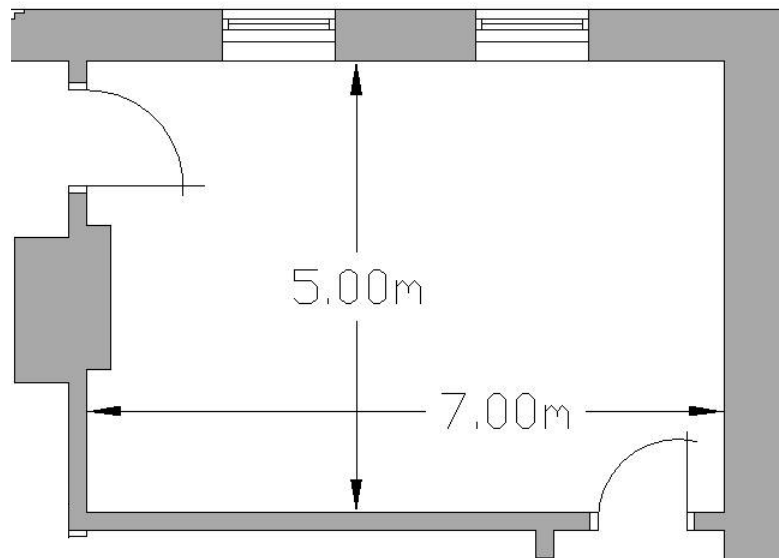


*The rooms marked with an asterisk are on the first floor and are served by a passenger lift

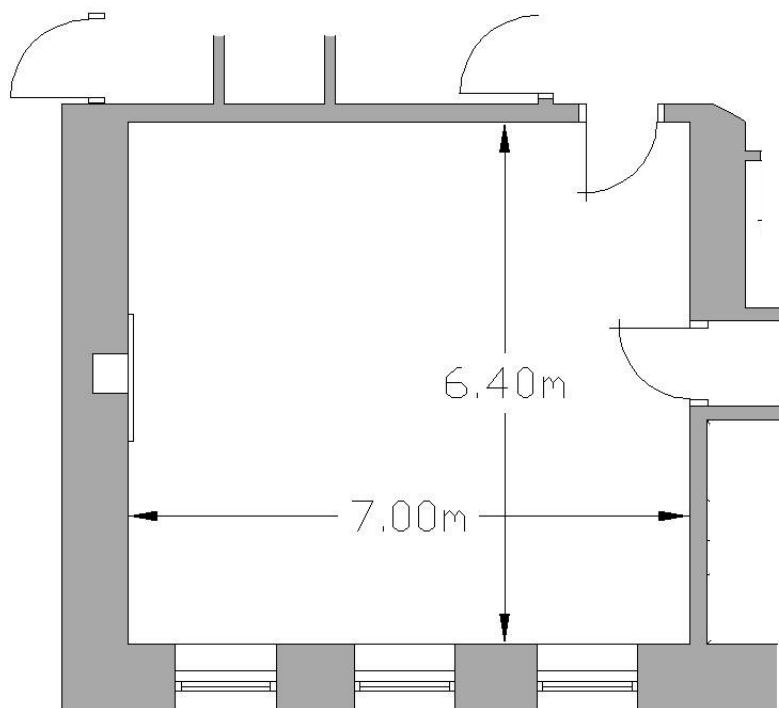
ROOM FLOOR PLANS

Ware Priory is an historic 14th Century building with the Priory Hall, the Conservatory and five other rooms available for hire. This document provides the floor plans for each room although for a complete set of dimensions, including height and area, there is a separate Room Dimensions document available. If you require further information, then please call 01920 460316 or email events@warepriory.co.uk.

Page-Croft Room*



Council Chamber*



*The rooms marked with an asterisk are on the first floor and are served by a passenger lift

ROOM FLOOR PLANS

Ware Priory is an historic 14th Century building with the Priory Hall, the Conservatory and five other rooms available for hire. This document provides the floor plans for each room although for a complete set of dimensions, including height and area, there is a separate Room Dimensions document available. If you require further information, then please call 01920 460316 or email events@warepriory.co.uk.

Greyfriars Room*

